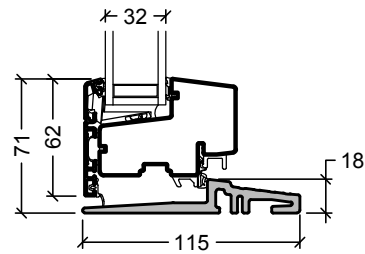


- E**
1. Fixed mullion (fast lodpost)
 2. French casement / mullion for fire escape (2-fløjet / brandpost)

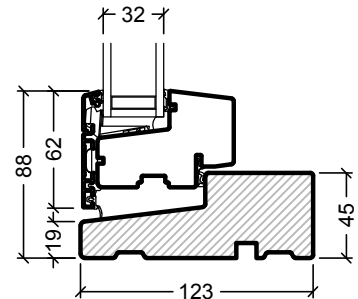
N **O** **M**
 Glazing bars Hardwood

VELFAC Drawing No. VELFAC RIBO alu, 3-layer 1:4 (1:40)
 Edition No. 04

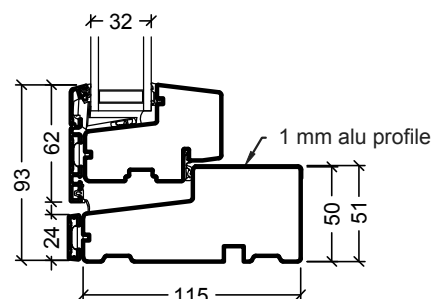
© VELFAC A/S All intellectual property rights and all rights in know-how in relation to this drawing may not be reproduced, stored, or transmitted in any form by any means (electronic, mechanical, photocopying, recording or otherwise) without the prior written consent of VELFAC A/S. It is to be used only for the purposes specified by VELFAC A/S and for no other purpose.



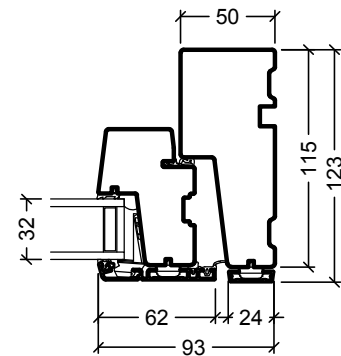
(L)



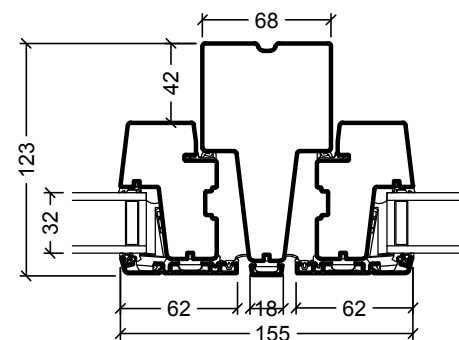
(M) Hardwood



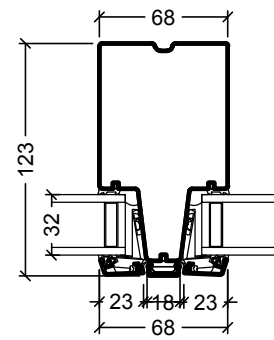
(K)



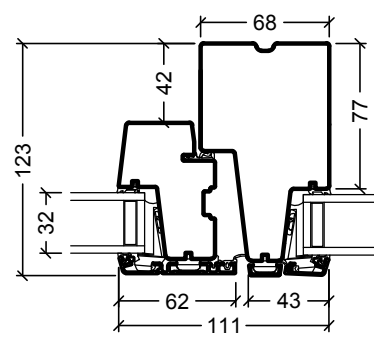
(D)



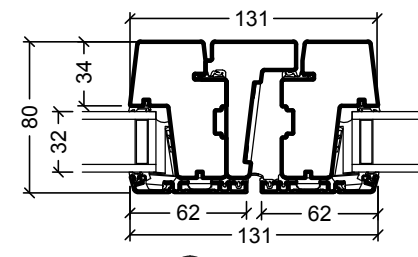
(E)



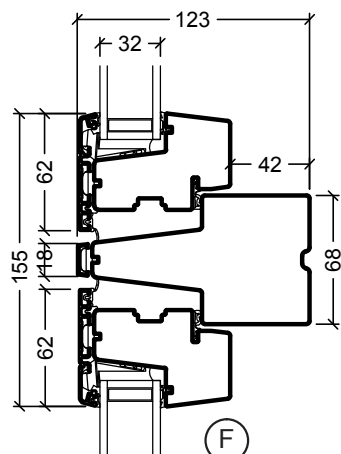
(C)



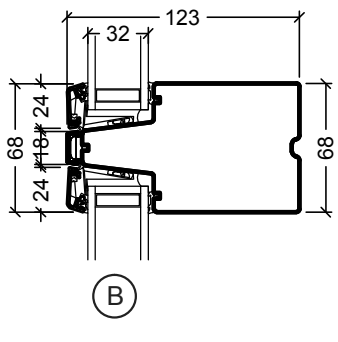
(I)



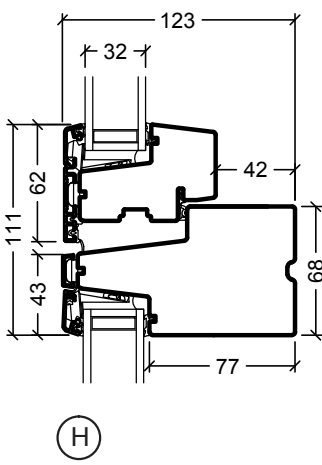
(J)



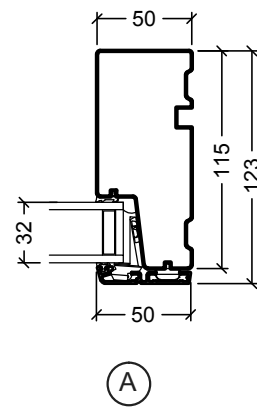
(F)



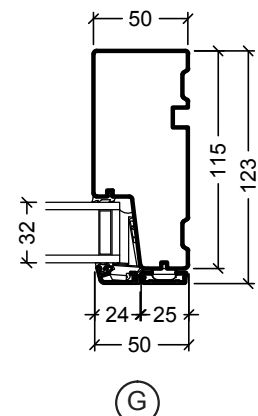
(B)



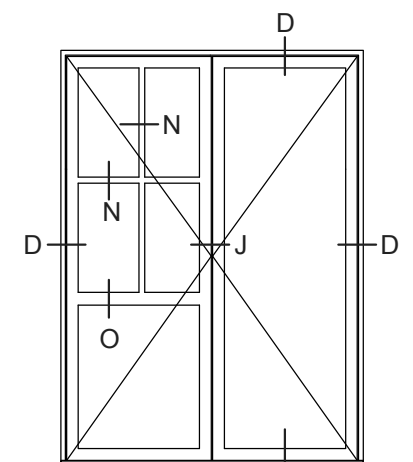
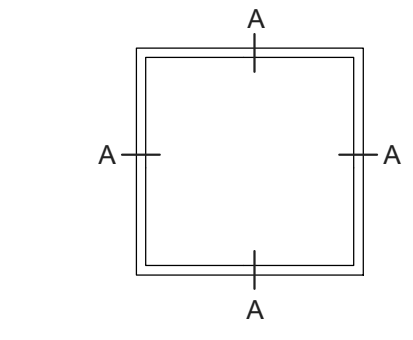
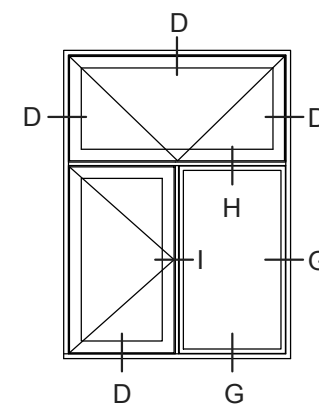
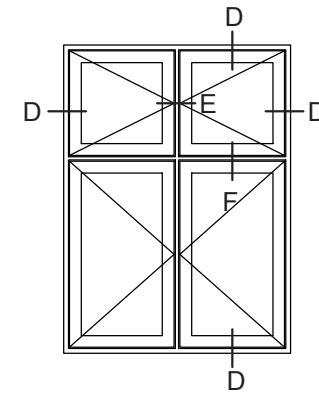
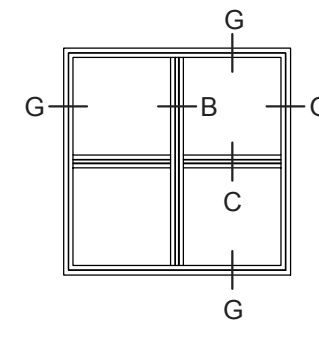
(H)



(A)



(G)



K / L / M
Door
threshold

(E)

1. Fixed mullion (fast lodpost)
2. French casement / mullion for fire escape (2-fløjet / brandpost)

(N) (O)

Glazing bars

(M)

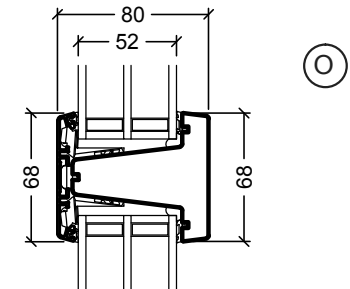
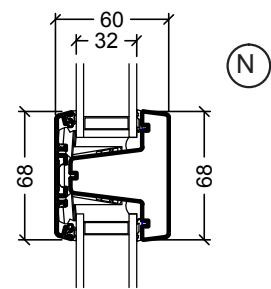
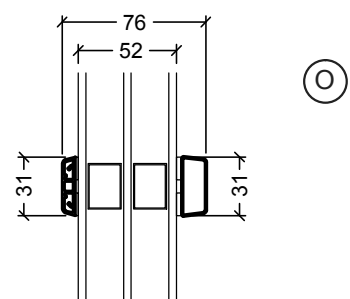
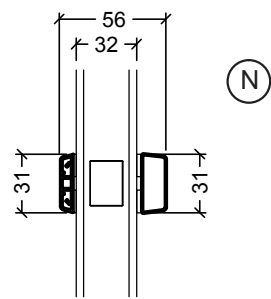
Hardwood

VELFAC

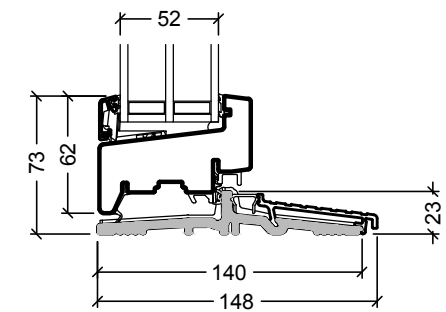
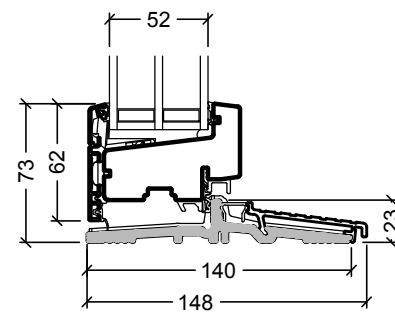
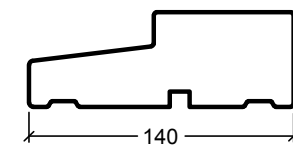
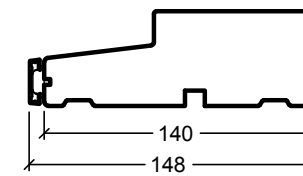
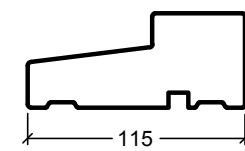
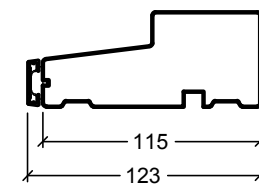
Drawing No. VELFAC RIBO alu, 2-layer 1:4 , (1:40)
Edition No. 04

© VELFAC A/S All intellectual property rights and all rights in know-how in relation to this drawing may not be reproduced, stored, or transmitted in any form by any means (electronic, mechanical, photocopying, recording or otherwise) without the prior written consent of VELFAC A/S. It is to be used only for the purposes specified by VELFAC A/S and for no other purpose.

Glazing bars



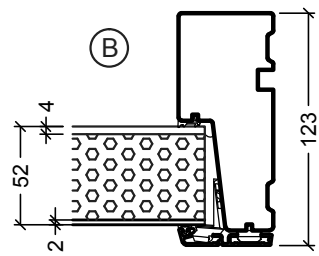
Frame variants



Drawing No. VELFAC RIBO Glazing bars and frame variations 1:4
Edition No. 04a

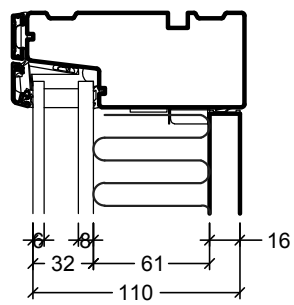
© VELFAC A/S All intellectual property rights and all rights in know-how in relation to this drawing may not be reproduced, stored, or transmitted in any form by any means (electronic, mechanical, photocopying, recording or otherwise) without the prior written consent of VELFAC A/S. It is to be used only for the purposes specified by VELFAC A/S and for no other purpose.

3014.2135 (panel)

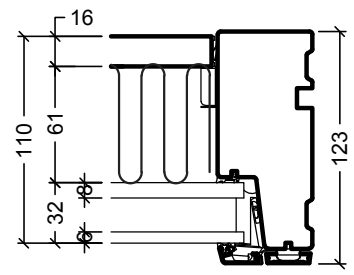


Sandwich panel
aluminium / HDF

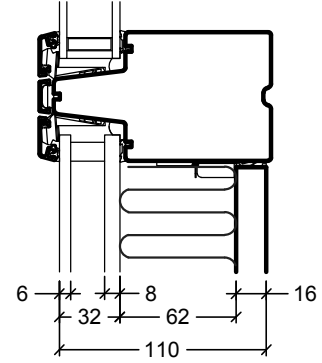
3014.2122 (A)



3014.2123 (B)

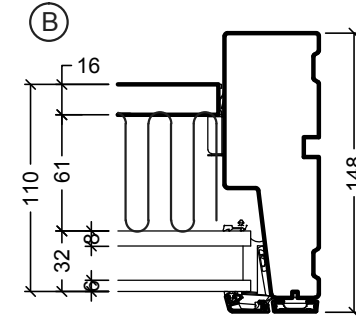


3014.2127 (D)

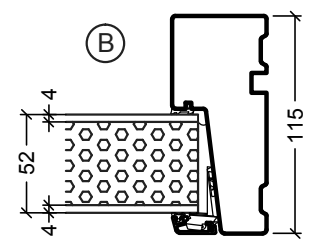


Ventilated panel

3014.2123 (148mm frame)

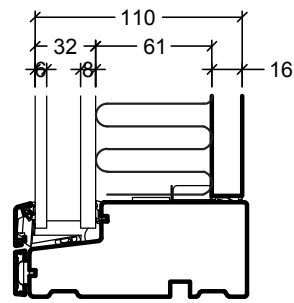


3014.1914 (panel)

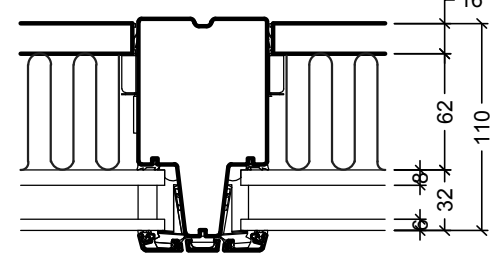


Ribo wood
Sandwich panel
HDF / HDF laminated board

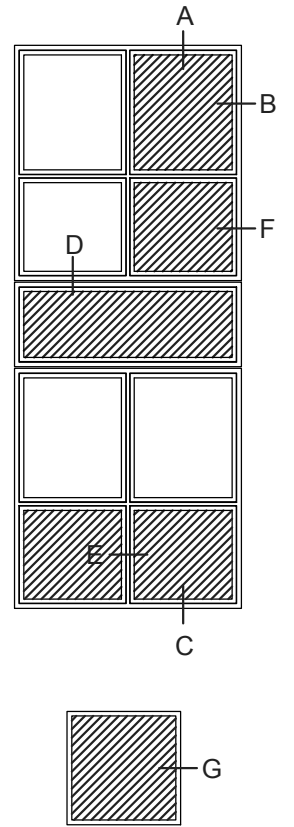
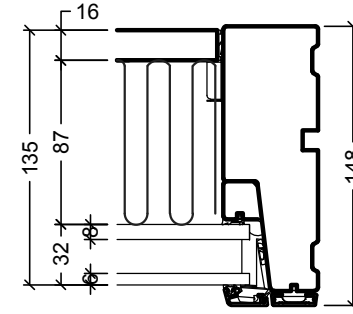
3014.2125 (C)



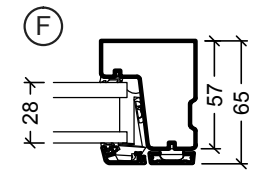
3014.2126 (E)



3014.2159 (G)

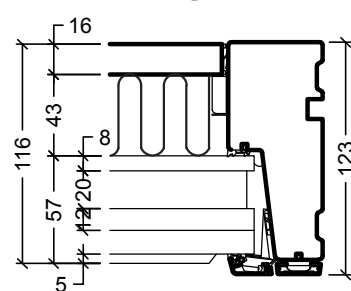


3014.2135 cut down frame)



Panel with reduced frame
for stacking sections
(Fylding med nedskåret
karm)

3014.2859 (B)



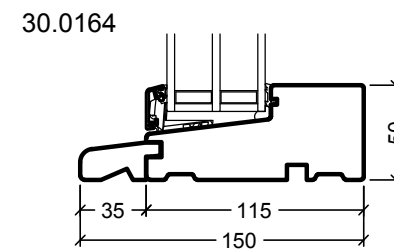
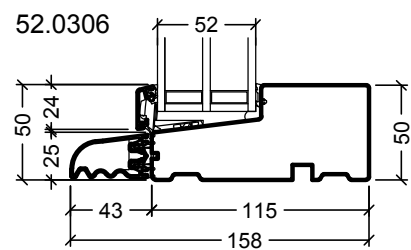
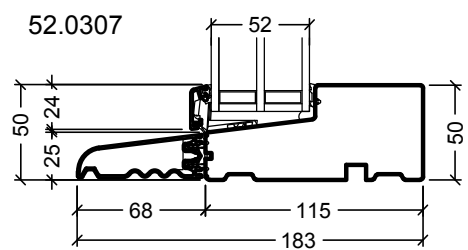
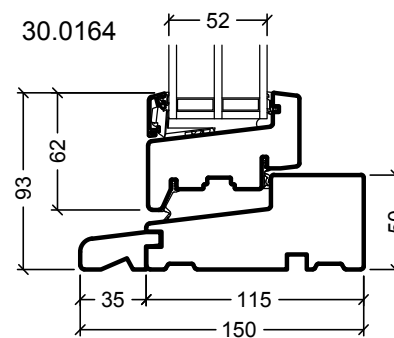
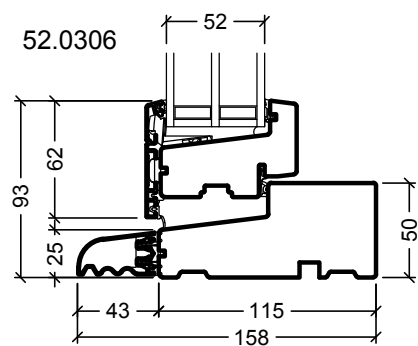
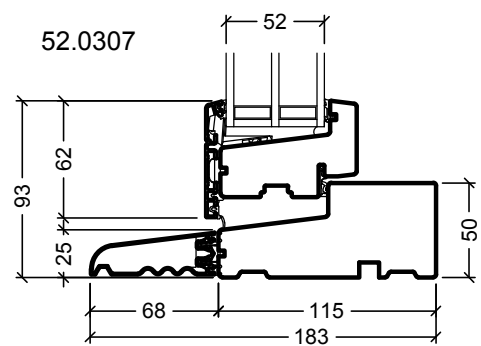
Ventilated Cedar panel

All panels are examples for both Ribo wood and Ribo alu



Drawing No. VELFAC RIBO Panels 1:4, (1:40)
10.15 © 2011, 2015 - Edition No. 04a

© VELFAC A/S All intellectual property rights and all rights in know-how in relation to this drawing may not be reproduced, stored, or transmitted in any form by any means (electronic, mechanical, photocopying, recording or otherwise) without the prior written consent of VELFAC A/S. It is to be used only for the purposes specified by VELFAC A/S and for no other purpose.



For wood and wood/aluminium

For wood only



Drawing No. Overview VELFAC RIBO, drip cap 1:4
Edition No. 01

© VELFAC A/S All intellectual property rights and all rights in know-how in relation to this drawing may not be reproduced, stored, or transmitted in any form by any means (electronic, mechanical, photocopying, recording or otherwise) without the prior written consent of VELFAC A/S. It is to be used only for the purposes specified by VELFAC A/S and for no other purpose.