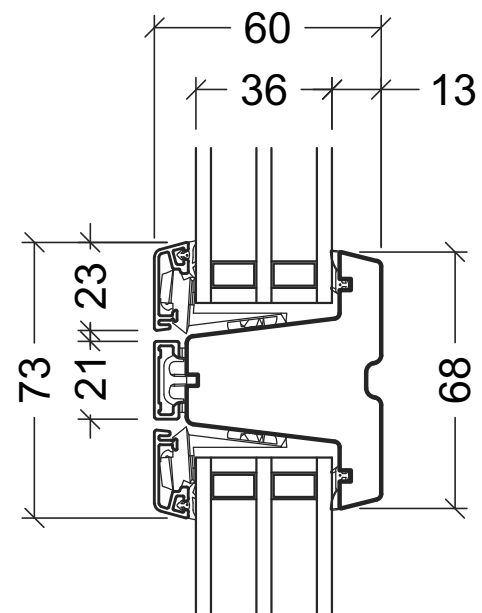
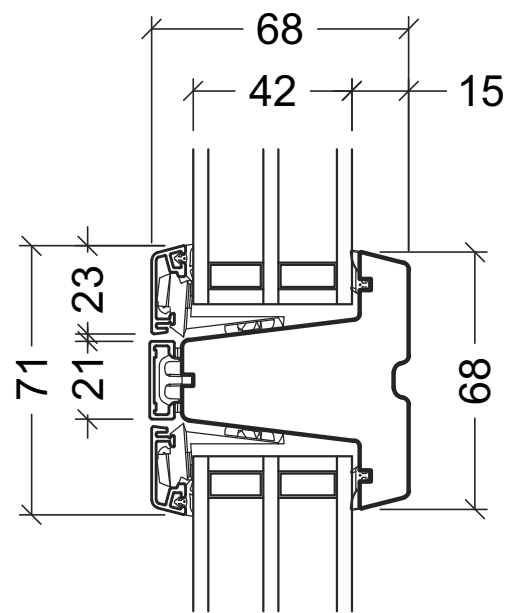


VELFAC® Drawing No. Overview Velfac Ribbo 37, sliding door, 1:2.5
Edition No. 01

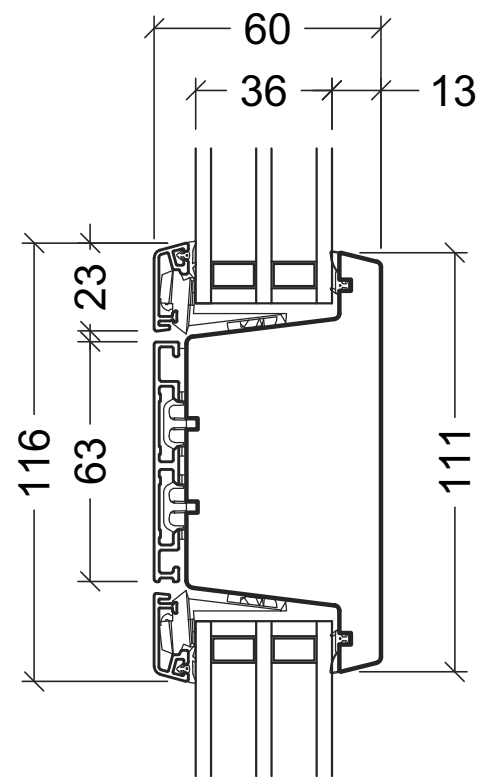
© 2008 VELFAC A/S All intellectual property rights and all rights in know-how in relation to this drawing may not be reproduced, stored, or transmitted in any form by any means (electronic, mechanical, photocopying, recording or otherwise) without the prior written consent of VELFAC A/S. It is to be used only for the purposes specified by VELFAC A/S and for no other purpose



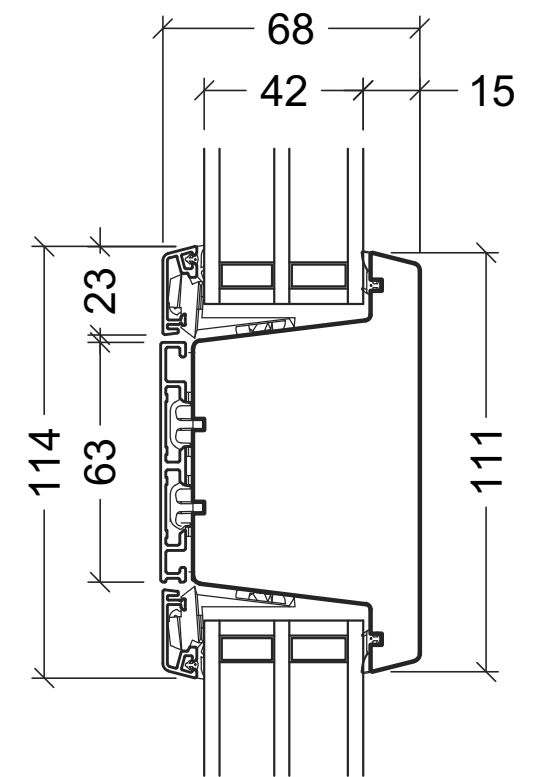
3014.0B54
Fixed sash



3014.0B52



3014.1B51
Fixed sash



3014.1B50