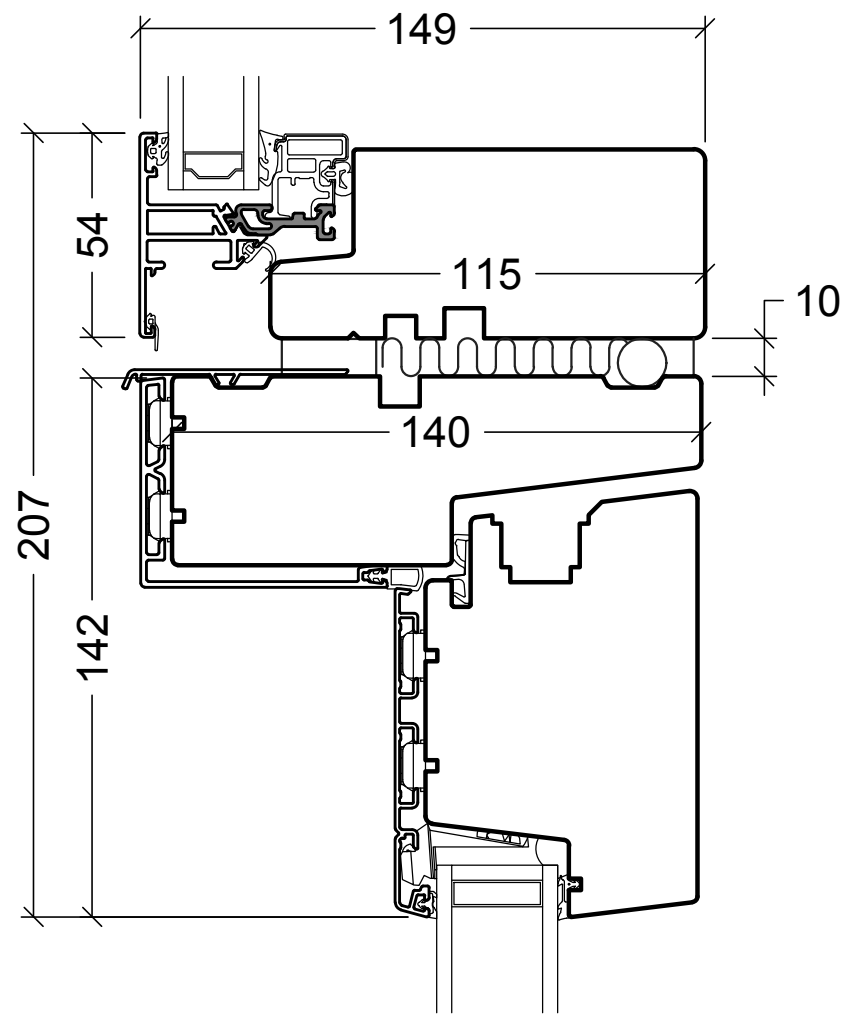
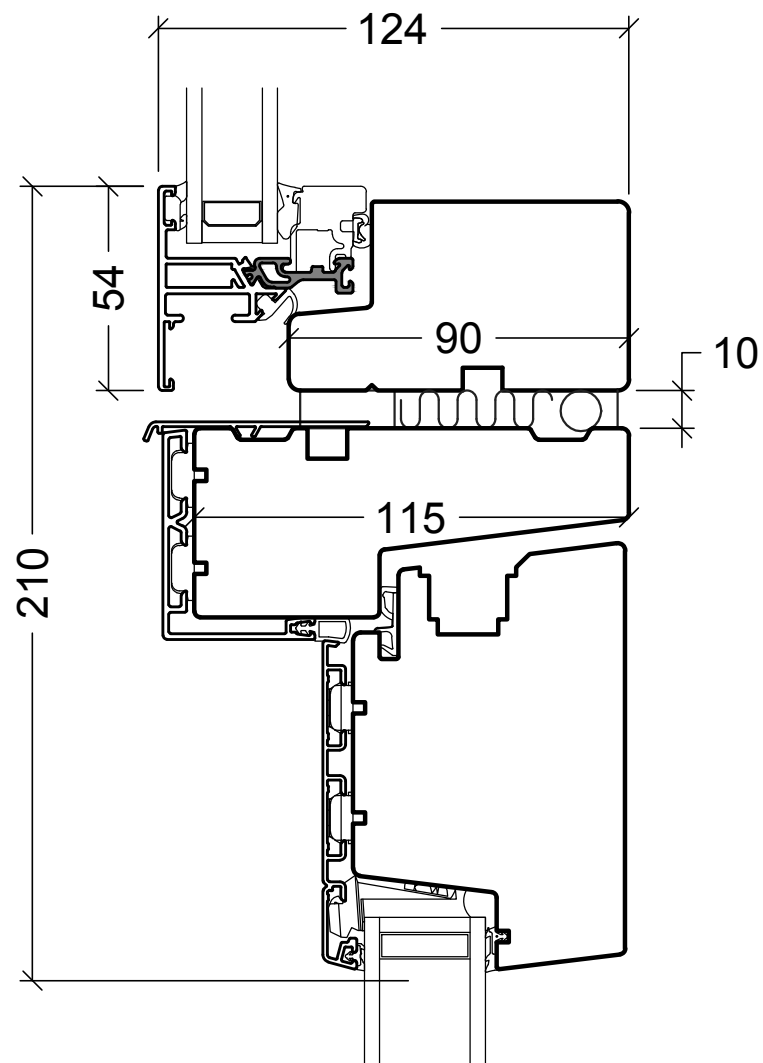
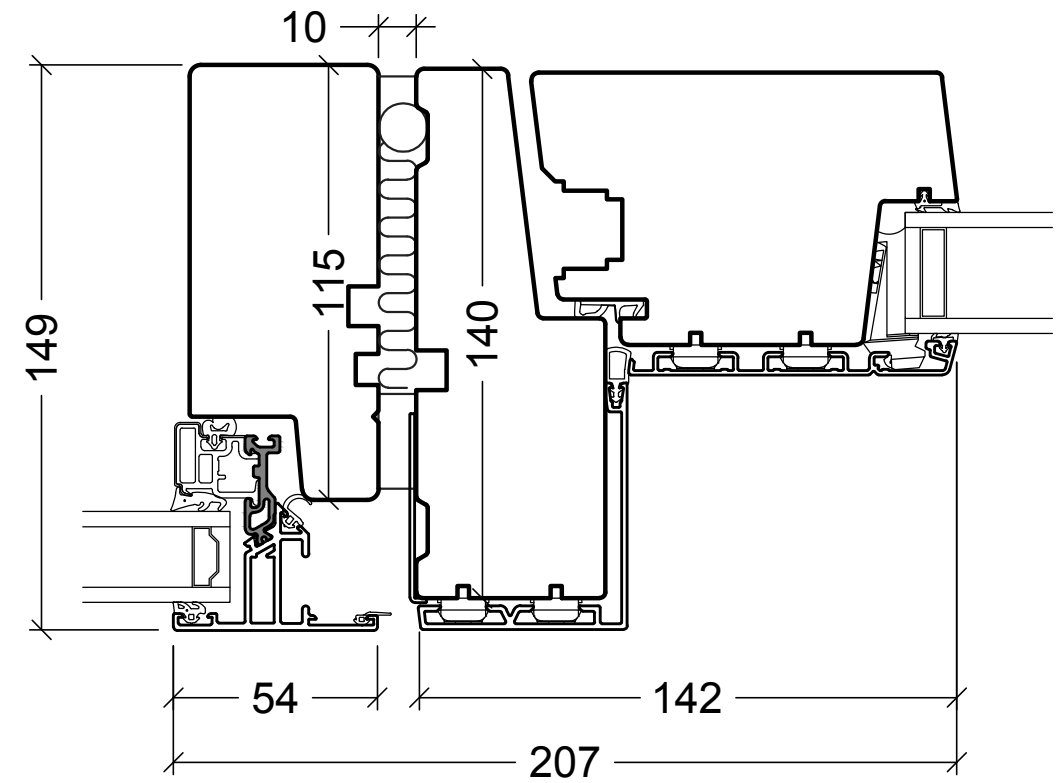
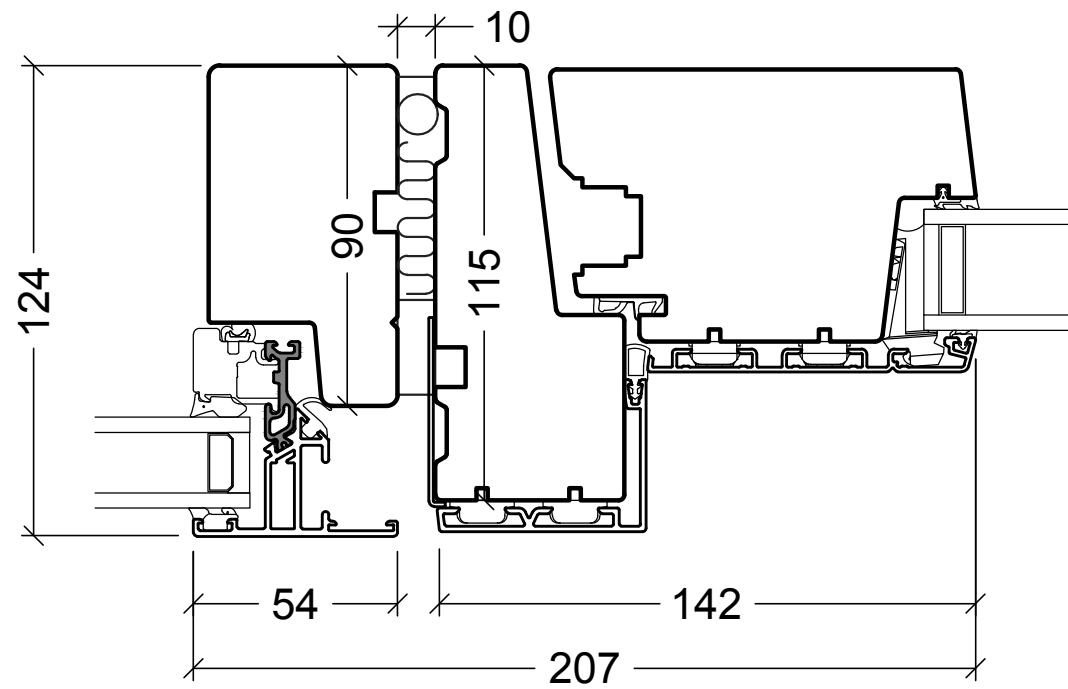


VELFAC® Drawing No. Overview VELFAC 200i - Ribo outward, coupling details 1:2
02.16 © 2016 - Edition No. 01

© VELFAC A/S All intellectual property rights and all rights in know-how in relation to this drawing may not be reproduced, stored, or transmitted in any form by any means (electronic, mechanical, photocopying, recording or otherwise) without the prior written consent of VELFAC A/S. It is to be used only for the purposes specified by VELFAC A/S and for no other purpose.



VELFAC® Drawing No. Overview VELFAC 200i - Ribo inward, coupling details 1:2
02.16 © 2016 - Edition No. 01

© VELFAC A/S All intellectual property rights and all rights in know-how in relation to this drawing may not be reproduced, stored, or transmitted in any form by any means (electronic, mechanical, photocopying, recording or otherwise) without the prior written consent of VELFAC A/S. It is to be used only for the purposes specified by VELFAC A/S and for no other purpose.