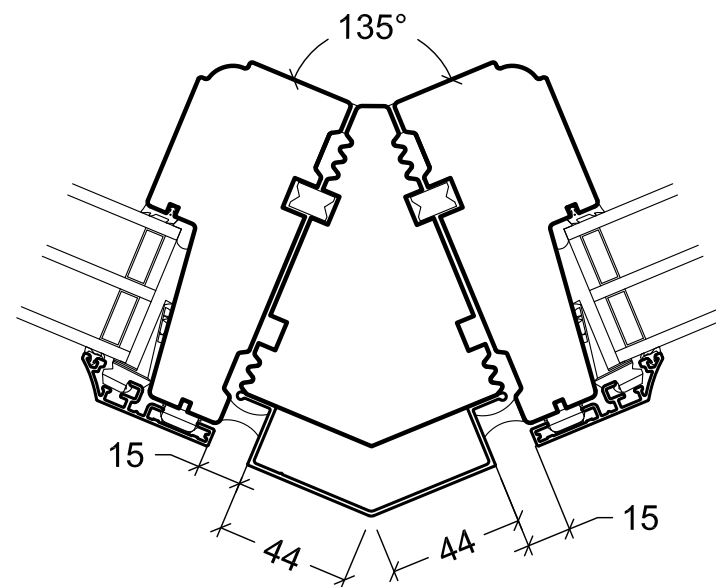
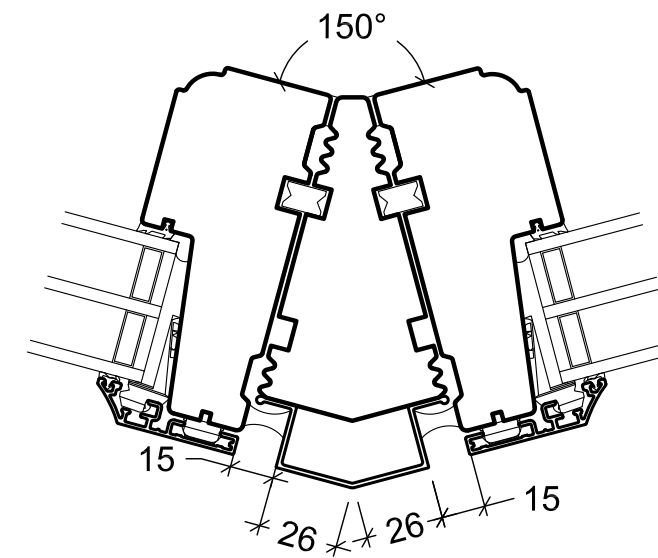


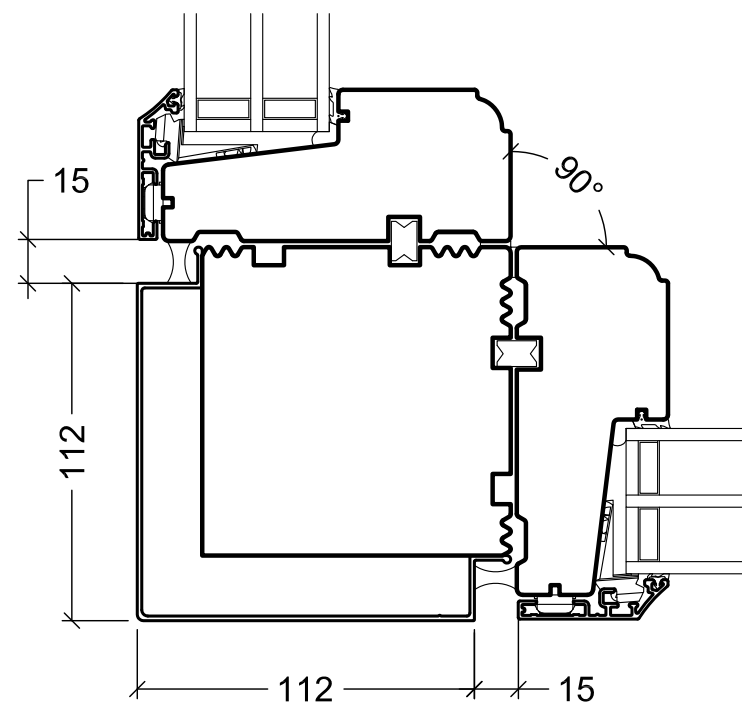
3014.0104  
60° Corner post  
Alu: 52.0004  
Post: 1033.0168



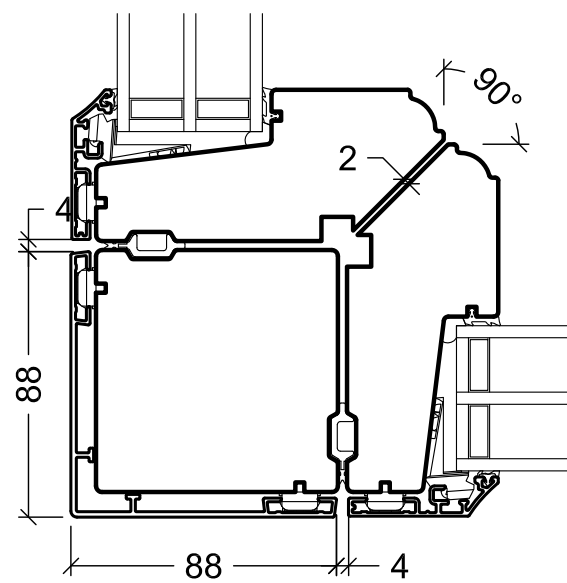
3014.0103  
45° Corner post  
Alu: 52.0003  
Post: 1033.0167



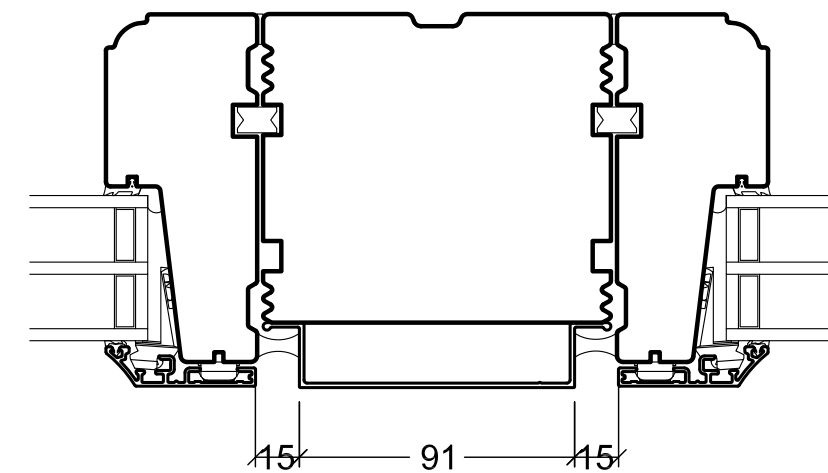
3014.0102  
30° Corner post  
Alu: 52.0002  
Post: 1033.0166



3014.0105  
90° Corner post  
Alu: 52.0048  
Post: 1033.0169



3014.1191  
90° Corner post  
Alu: 52.0199  
Post: 30.0151



3014.0106  
180° Corner post  
Alu: 52.0049  
Post: 1033.0174

All solutions also for VELFAC Classic alu 2-layer



Drawing No. External corner posts, VELFAC Classic alu (1:2.5)  
10.15 © 2015 - Edition No. 01

© VELFAC A/S All intellectual property rights and all rights in know-how in relation to this drawing may not be reproduced, stored, or transmitted in any form by any means (electronic, mechanical, photocopying, recording or otherwise) without the prior written consent of VELFAC A/S. It is to be used only for the purposes specified by VELFAC A/S and for no other purpose.